



Thunder Disposable Gun System

ADVANTAGES

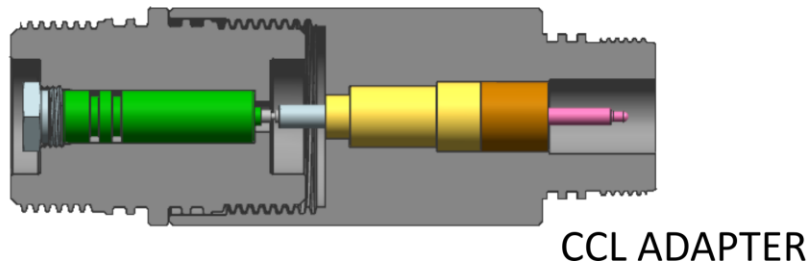
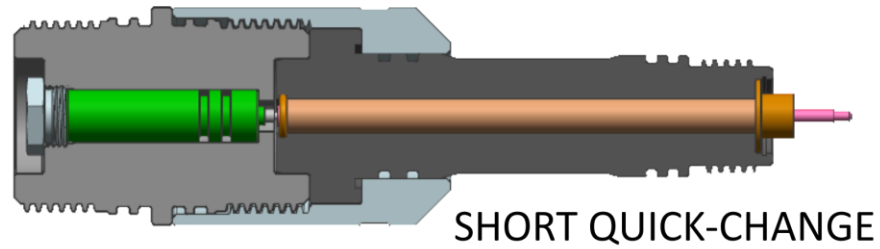
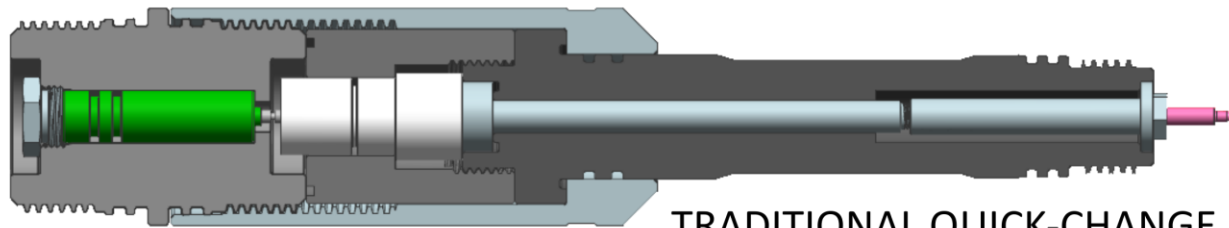
- Pre-wired Pin-Box Gun using a short Sub x 4.25" for quicker installation.
- Utilizes Nexus Spring Contacts (pre-wired).
- No long tandem subs/ port plugs: Uses the open window located in the same charge holder for the wiring/ deto connection.
- Compatible with Traditional Quick-Change Assemblies.
- Can be used with any brand of Addressable Switches & Detonators.
- Shorter Overall Gun String lengths.





Thunder Disposable Gun System

TOP ASSEMBLY OPTIONS

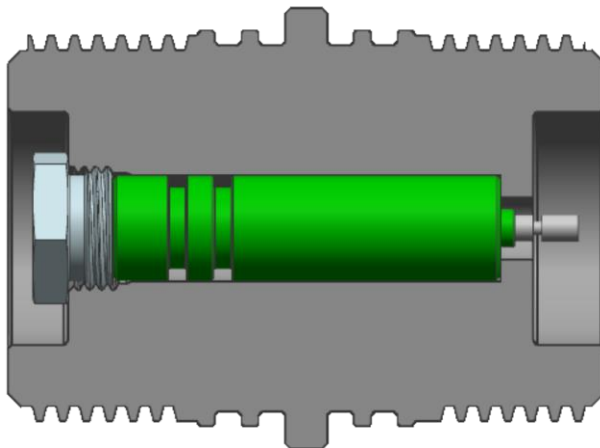




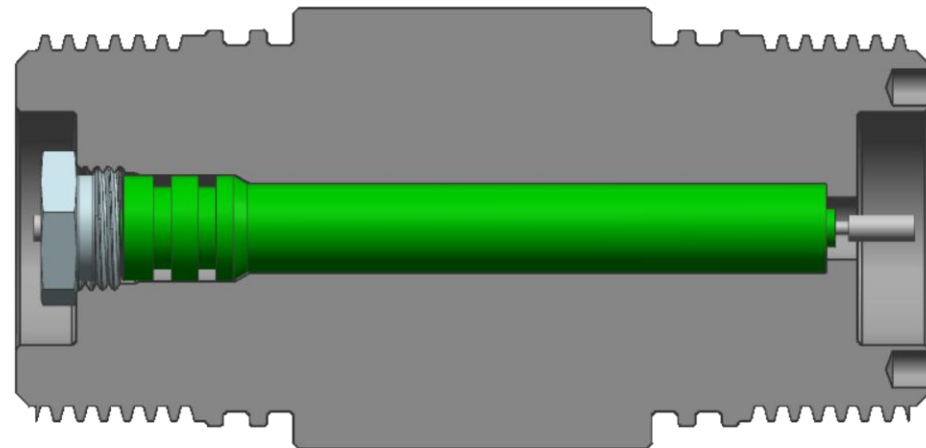
Thunder Disposable Gun System

Feed-thru Sub

- Single Style Feed-Thru for simplified connections.
- Feed-Thru covered with HT peek insulator.
- Utilizes industry standard retainer nut.
- Disposable



SHORT (DISPOSABLE) SUB



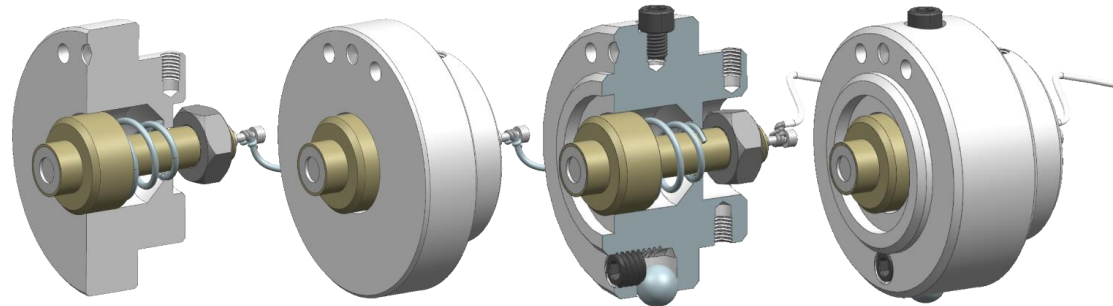
LONG (REUSABLE) SUB



Thunder Disposable Gun System

Contact End Fittings

- Fit on standard charge holders.
- Used with Addressable Switch only
- Pre-wired w/ double insulated wire.
- Plunger insulated with Peek.





Thunder Disposable Gun System

Firing Heads

- Available in #10, #20, 074 & GO Shorty style

